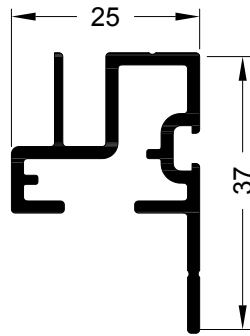
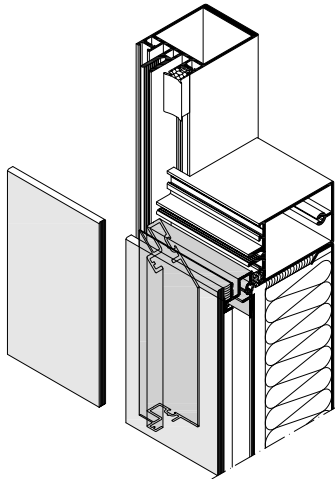


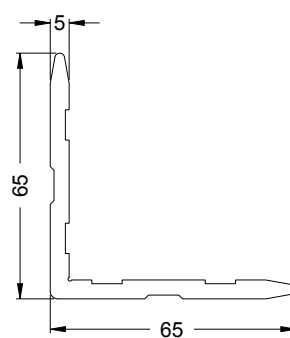
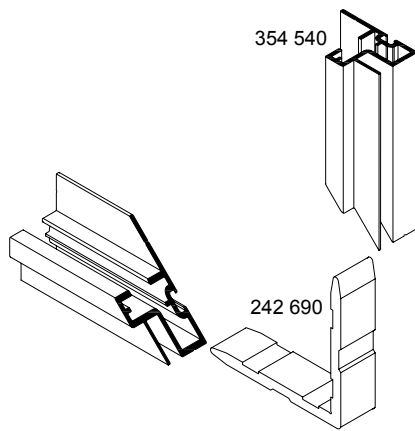
FWS 60 SG Kaltbrüstungspaneel Glas – Verklebung auf Aluminiumprofil
FWS 60 SG Ventilated spandrel panel, glass – bonding to the aluminium profile



Aluminium-Brüstungsprofil
Aluminium spandrel panel profile

| Art.-Nr. Art.-Nr. | Material Material | ◀ x ▶ █ |
|----------------------|---|------------|
| | | m |
| 354 540* | Aluminium, roh Aluminium, mill finish | 6 |

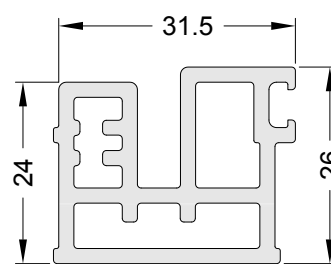
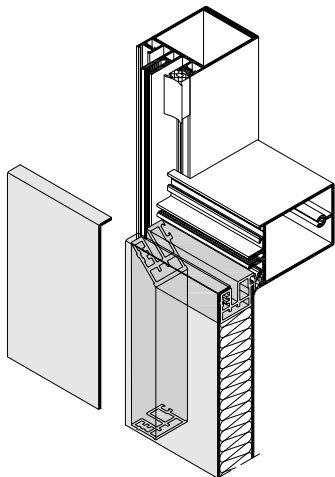
* Nur in SG-Eloxal erhältlich
 * Only available in anodised SG



Eckverbinder
Corner cleats

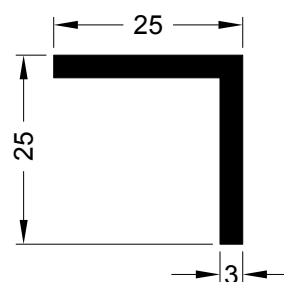
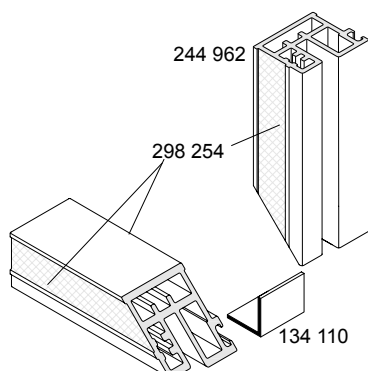
| Art.-Nr. Art.-Nr. | Material Material | ▢ Profile |
|----------------------|----------------------|--------------|
| 242 690 | Alu Aluminium | 40 |

FWS 60 SG.SI Brüstungspaneel – Blech
FWS 60 SG.SI Spandrel panel – sheet metal



KS-Brüstungsprofil
PVC-U spandrel panel profile

| Art.-Nr. Art.-Nr. | Material Material | Farbe Colour | ◀ x ▶ █ |
|----------------------|----------------------|------------------|------------|
| | | | m |
| 244 962 | PVC | schwarz Black | 6 |



Aluminiumwinkelprofil
Aluminium angle profile

| Art.-Nr. Art.-Nr. | Abmessungen Dimensions | Material Material | ◀ x ▶ █ |
|----------------------|---------------------------|---|------------|
| | | | m |
| 134 110 | 90° | Aluminium, roh Aluminium, mill finish | 6 |